



GTSM-16V120FUS

Shanghai Green Tech Co.,Ltd.

(GT Confidential)

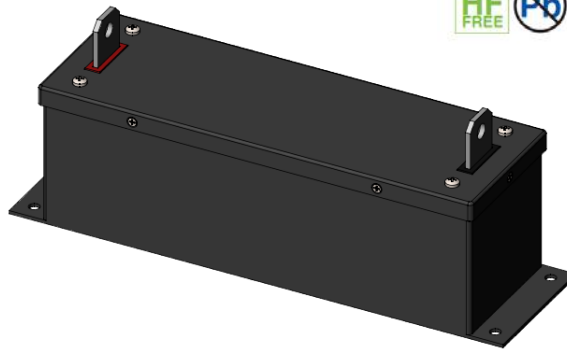


Feature:

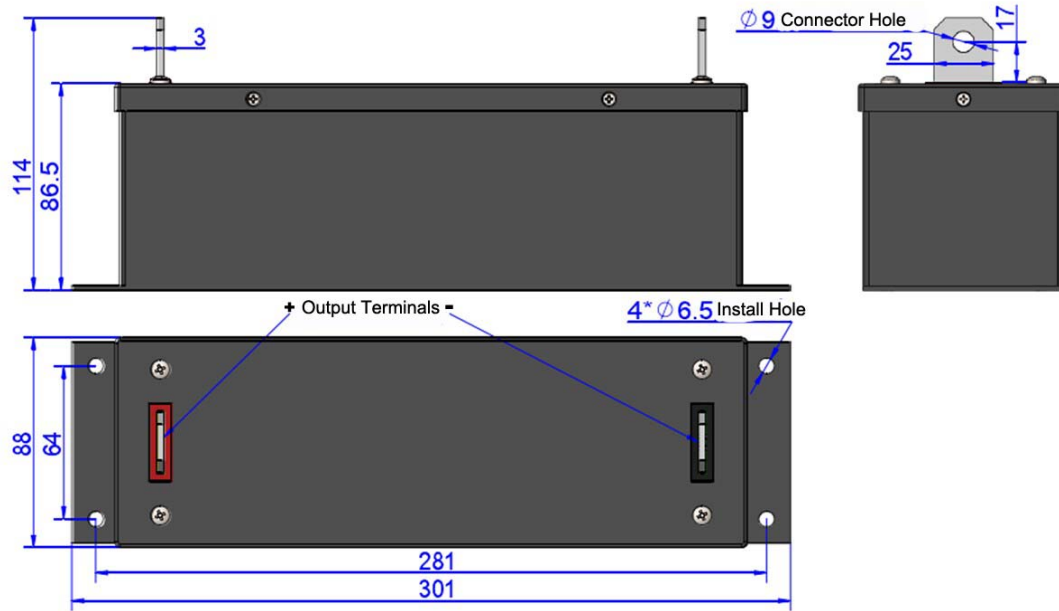
- Low ESR,high power
- More than 500,000 times cycle life
- With unit balancing PCB
- Hard-packed, Screw terminal M5

Application:

- Telecommunication
- UPS
- Electrical power system
- Automotive start assist
- Transportation



Size: (mm)



Specification

GT PN.	Cap.	Vol.	Max. ESR(mΩ)		Max. Continuous Current (A,ΔT=40°C)	Max.Peak Current 1~3 s (A)	Leakage current(mA) @25°C after 72hrs self discharge	Weight (kg)
			AC 1KHz	DC				
GTSM-16V120FUS	120F	16V	10	12	70	460	27	2.0

Rated Voltage	16VDC
Capacitance Tolerance	0%~+20% (25°C)
Relative Humidity	≤90%
Operating Temperature -40°C~+65°C	ΔC< 5% initial capacitance(25°C),ΔESR< 150% initial ESR(25°C)
Cycle Life (full charge to half discharge 500,000 times)	ΔC< initial capacitance 30%,ΔESR< initial ESR 200%(25°C)
Use life (1000hrs @65°C@16VDC)	ΔC< initial capacitance 30%,ΔESR< initial ESR 200%(25°C)
Storage life (2years @70°C non-load)	ΔC< initial capacitance 30%,ΔESR< initial ESR 200%(25°C)